

Important safety instructions

This product can be used by children from 8 years and upwards as well as by people with reduced physical, sensory or mental ability or lack of experience and knowledge if they have been supervised or instructed regarding the safe use of the product and understand the risks that this use entails. Keep the children under supervision so that they do not play with the appliance. Cleaning and user maintenance must not be performed by children unless they are at least 8 years old and supervised during the activity. This appliance is not intended for use in places above 2,000 m above sea level.

IMPORTANT!

Important safety instructions: read this text carefully and SAVE it for future use.

WARNING!

If the door or door seals are damaged, the oven must not be used until it has been repaired by a qualified person.

WARNING!

It is dangerous for anyone other than a qualified person to perform service or repair that involves the removal of a casing that protects against exposure to microwave energy.

WARNING!

Liquids and other food must not be heated in closed containers as they may explode. This appliance is intended for use at home or in similar environments, for example: staff kitchens in shops, offices or other workplaces; farms; or customers in hotels, motels or other residential environments; hostels, bed and breakfasts or similar environments. Use only microwave-safe containers and vessels. Metal containers for food and drink are not allowed during cooking in the microwave. Do not leave the oven unattended when using disposable plastic, paper or other flammable food containers. The microwave is intended for heating food and drink. Drying of food or clothes as well as heating of heating pads, slippers, sponges, damp cloths or the like can involve a risk of damage, ignition of materials or fire. Do not open the door if heated food begins to smoke. Turn off the oven, unplug the cord and wait until the food has stopped smoking. Opening the door while the food is smoking can cause a fire. Heating beverages in the microwave can lead to delayed eruptive boiling, and therefore care must be taken when handling the container. The contents of baby bottles and baby food jars should be stirred or shaken and the temperature checked before consumption, to avoid burns. Do not boil eggs in their shells. Whole hard-boiled eggs should not be heated in a microwave oven as they may explode even after microwave heating is complete.

Care and cleaning

The door:

Regularly clean both sides of the door, the door seals and the sealing surfaces with a soft, damp cloth, to remove any traces of dirt. Do not use coarse abrasive cleaners or sharp metal scrapers to clean the oven glass door as they can scratch the surface and cause the glass to shatter.

Inside of the oven:

Use a soft, damp cloth or sponge to dry in the oven after each use, while still warm. Use a mild soap for coarser soiling, and wipe several times with a damp cloth until all residue has been removed. Do not remove the microwave cover. Check that no dishwashing liquid or water has entered the small ventilation openings on the walls, as this may damage the oven. Do not use detergent in spray form to the inside of the oven. Clean the microwave cover, oven compartment, rotating plate and plate support after use. These must be dry and fat-free. Old grease can overheat and start smoking or catching fire.

Outside of the oven:

You can easily clean the outside of the oven with a mild hand dishwashing detergent and water. Wipe the detergent with a damp cloth, and wipe the outside dry with a soft towel.

Oven control panel:

Open the door before cleaning to deactivate the oven control panel. Be careful when cleaning the oven control panel. use a cloth that has only been moistened with water, and gently wipe the panel until it is clean. Avoid using excessive amounts of water. do not use any detergent, either chemical or abrasive.

Rotating plate and plate support:

Remove the rotating plate and the support from the oven. clean the rotating plate and the plate support with a mild hand dishwashing detergent. wipe dry with a soft cloth. Both the rotating plate and the support can be washed in the dishwasher.

IMPORTANT!

Clean the oven regularly and remove any food residue. Failure to keep the oven clean can lead to wear of the surface which in turn affects its service life and can also result in a risky situation. Care should be taken not to move the rotating disc when removing containers from the unit.

IMPORTANT!

Steam washing must not be used. the microwave oven is intended for use built-in. this product and its accessible parts become hot during use.

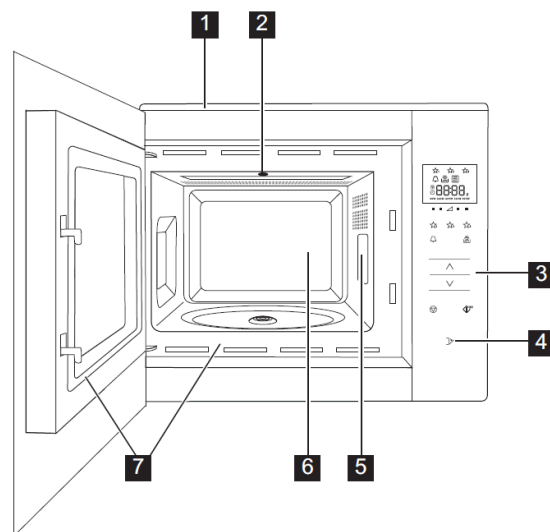
WARNING!

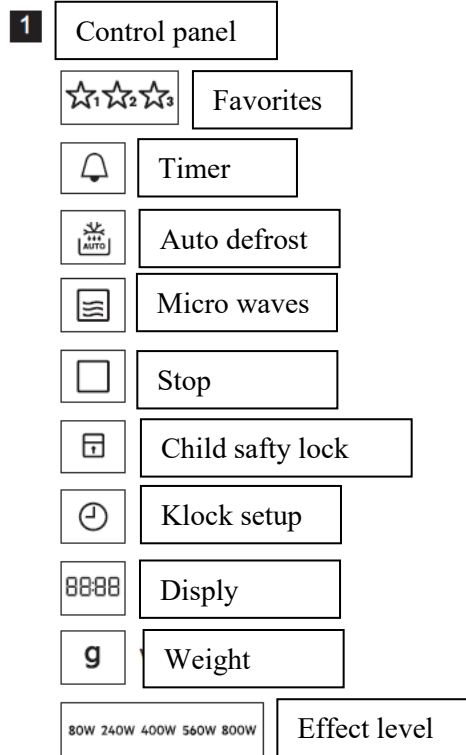
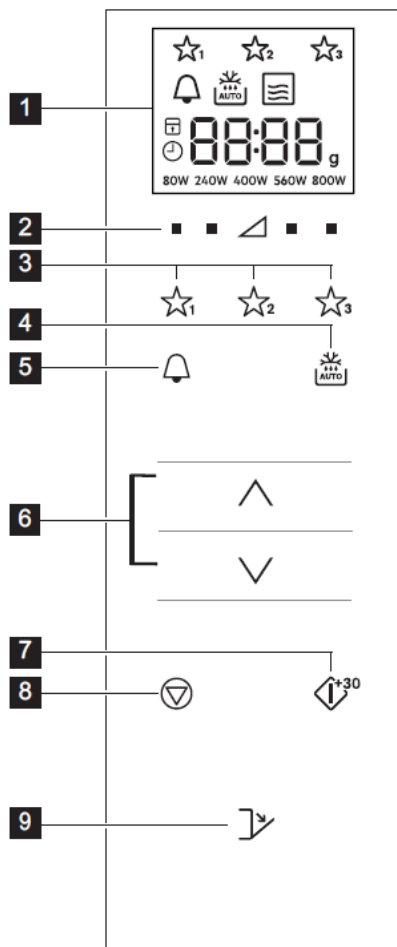
Keep children away from the door to prevent them from burning themselves.

IMPORTANT!

Do not use commercially available oven cleaners, steam cleaners, rough cleaning products with abrasive action, anything that contains sodium hydroxide or scouring pads on any part of the microwave oven.

1. front
2. oven lamps
3. control panel
4. door opening button
5. microwave protection
6. oven space
7. door seal and sealing surfaces





2. power level buttons
3. favorite buttons
4. auto defrost button
5. button for kitchen timer
6. increase / decrease buttons
7. start / Confirm / quick start button
8. stop button
9. door opening button